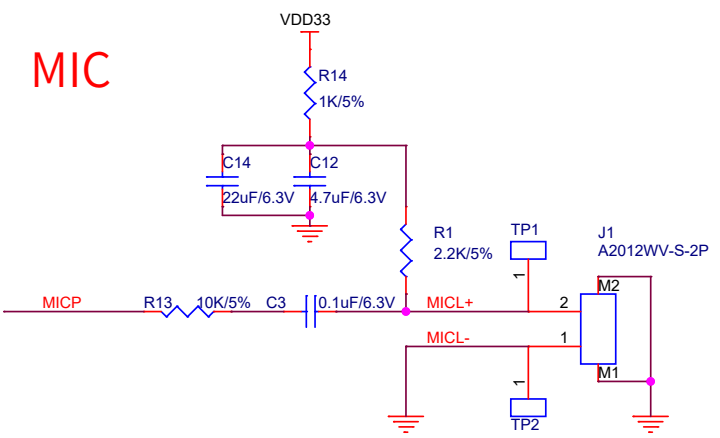
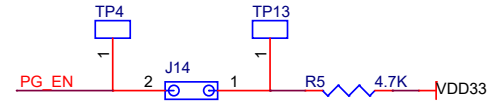


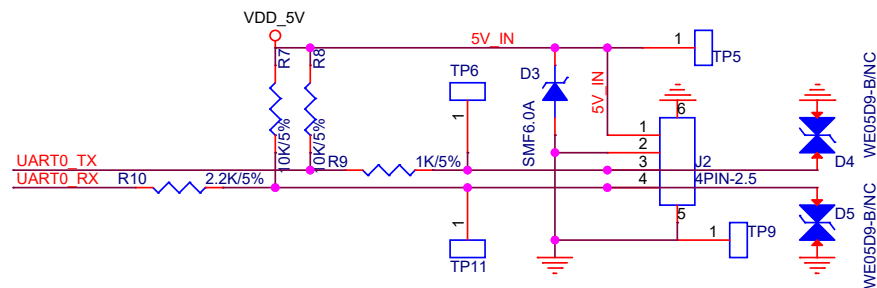
Voice chip

J14	Description
short-circuit	Upon power-up, the system enters upgrade mode (red led on). If an external upgrade signal is detected on the UART0 pin at this time, the upgrade process will begin. The upgrade time is approximately 800 ms, making it suitable for application solutions without Fast Boot requirements.
Open-circuit	Upon power-up, the system enters normal startup mode, suitable for applications requiring Fast Boot. The power-on startup time is approximately 200 ms.

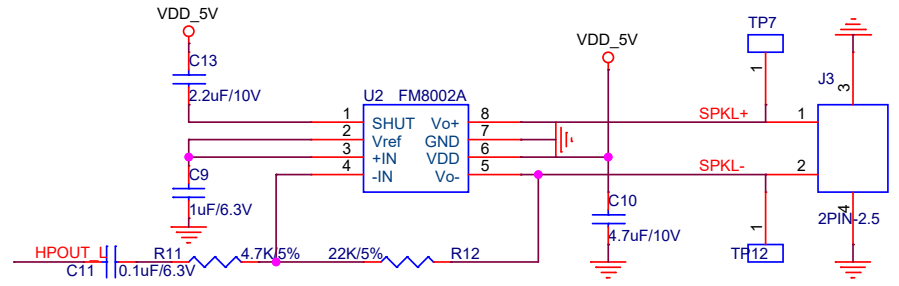


MIC

Power & UART



Class AB amplifier



CI1308X standard application reference design

Sheet Title = 02: Typical application		
Title		
Size	Document Number	Rev
Date:	Friday, September 20, 2024	Sheet 3 of 3