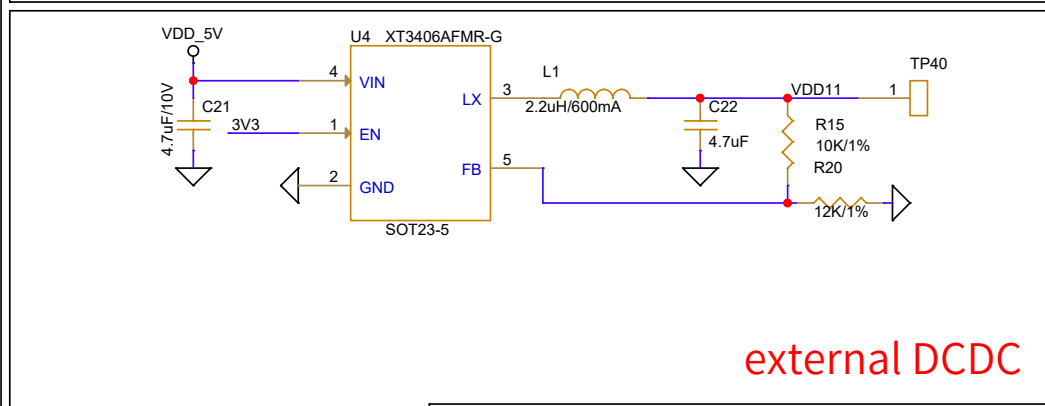
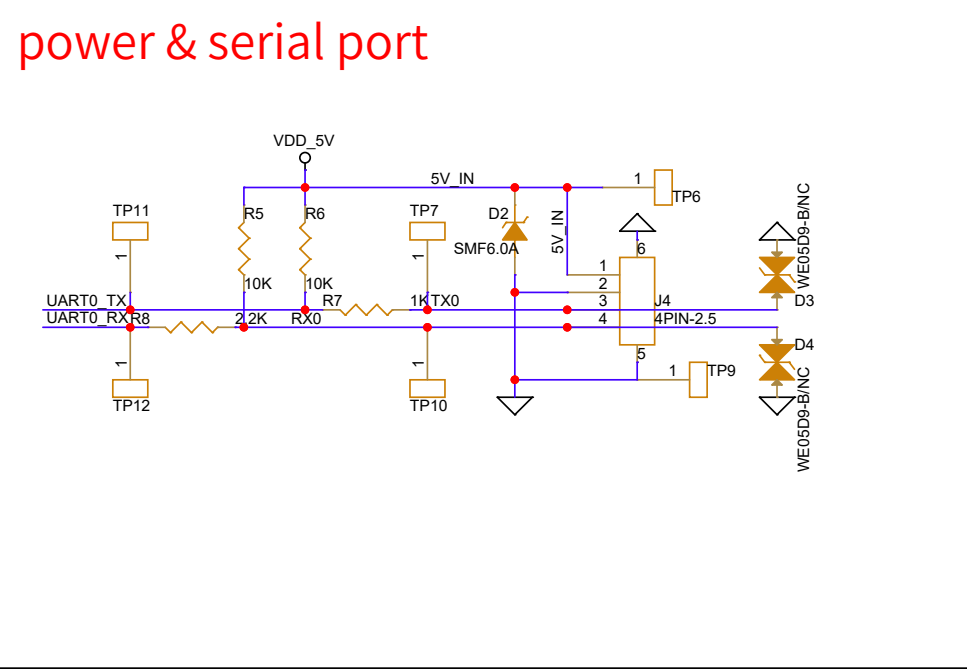
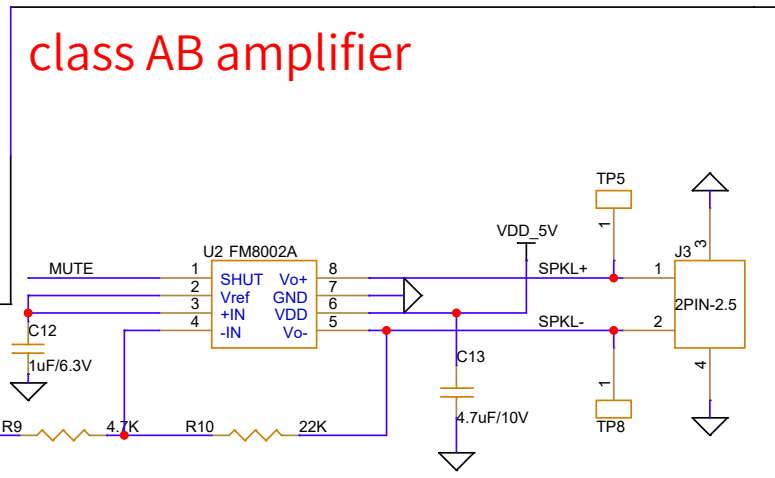


|      |      |  |
|------|------|--|
| R13  | R14  | Power-up in Default Upgrade Mode<br>Boot time ≈ 850 ms.<br>Suitable for products that are not sensitive to power-up speed.   |
| NC   | NC   | Power-up in Normal Operation Mode<br>Boot time ≈ 350 ms.<br>Short the test point during power-up to enter upgrade mode.<br>Suitable for products that require fast boot. |
| 2.2K | 2.2K |  |

Upgrade enable

TP13 Test point is placed on the bottom side to support automated (in-line) firmware updates.



## CI2324X low power reference schematics

|                                       |                             |       |        |
|---------------------------------------|-----------------------------|-------|--------|
| Sheet Title = 02. Typical application |                             |       |        |
| Title                                 |                             |       |        |
| Size                                  | Document Number             |       | Rev    |
| Date:                                 | Saturday, December 21, 2024 | Sheet | 3 of 3 |